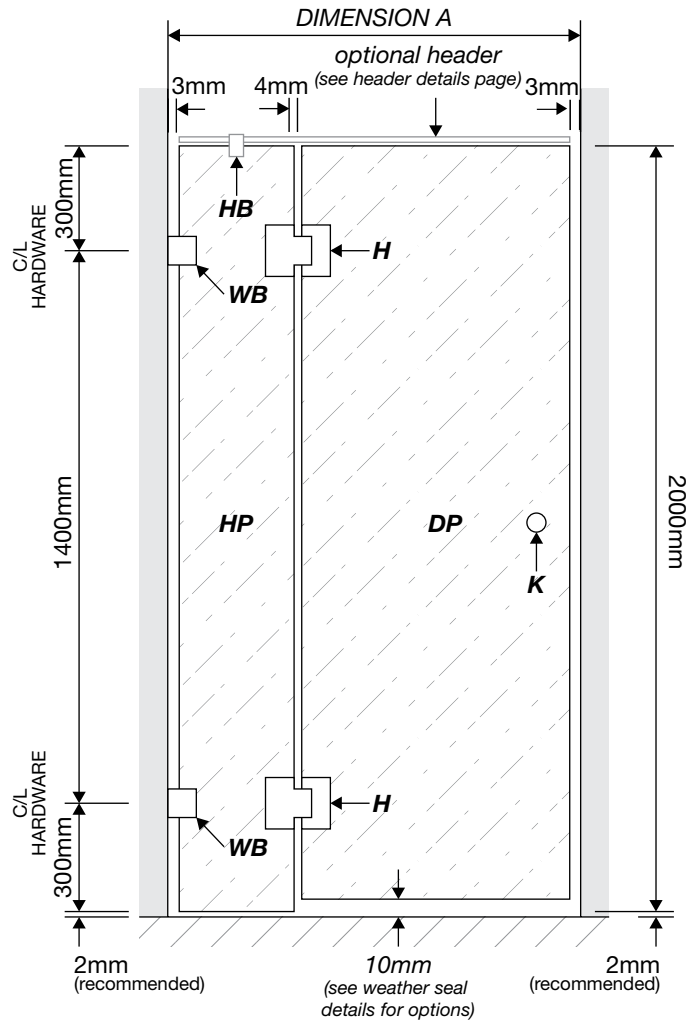


INLINE 2-PANEL B HINGE SHOWER 2000 HEIGHT SERIES (technical drawings)



LEGEND

DIMENSION A The overall dimension, NOT including gaps between glass and walls (4mm \pm 1 gap is recommended).

DP Shower screen door glass panel with hinge cutouts and hole for selected door knob (DP Glass Series).

HP Shower screen hinge glass panel with two cutouts for door panel hinges (HP Glass Series).

H Glass-to-Glass Hinge x2

WB Wall Bracket x2

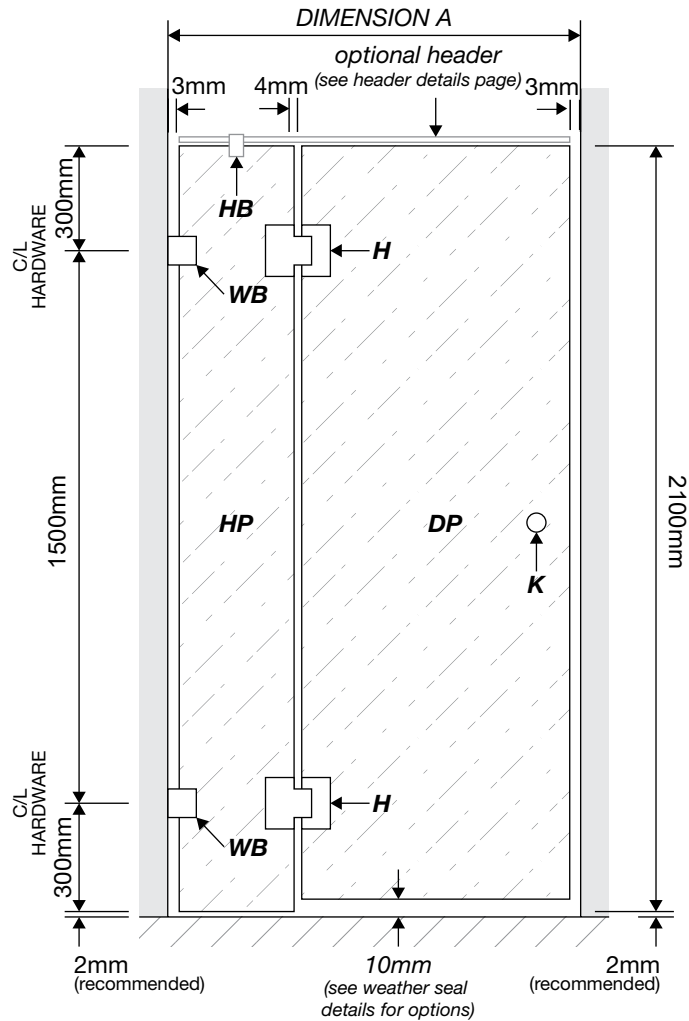
HB Header Bracket (optional)

K Knob x1

** All glass is 10mm clear toughened. **

ELEVATION DRAWING

INLINE 2-PANEL B HINGE SHOWER 2100 HEIGHT SERIES (technical drawings)



LEGEND

DIMENSION A The overall dimension, NOT including gaps between glass and walls (4mm \pm 1 gap is recommended).

DP Shower screen door glass panel with hinge cutouts and hole for selected door knob (DP Glass Series).

HP Shower screen hinge glass panel with two cutouts for door panel hinges (HP Glass Series).

H Glass-to-Glass Hinge x2

WB Wall Bracket x2

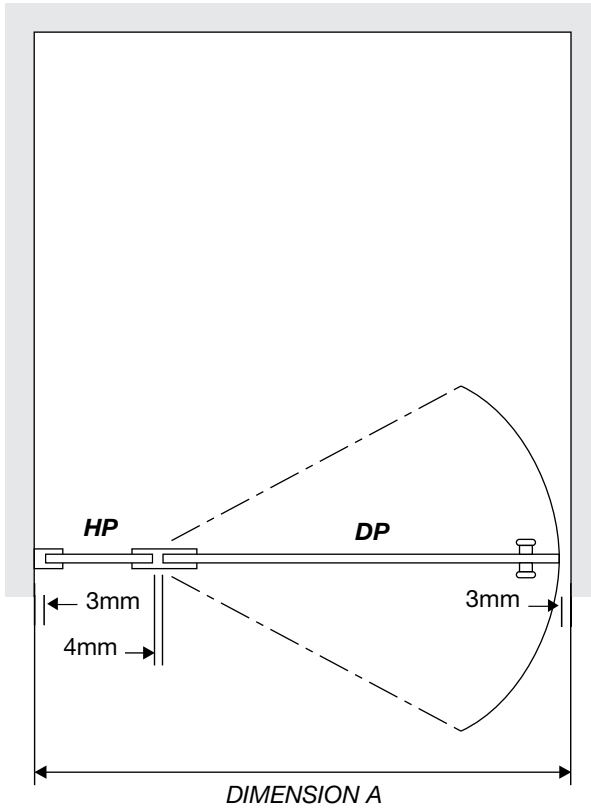
HB Header Bracket (optional)

K Knob x1

** All glass is 10mm clear toughened. **

ELEVATION DRAWING

INLINE 2-PANEL HINGE SHOWER SERIES (technical drawings)

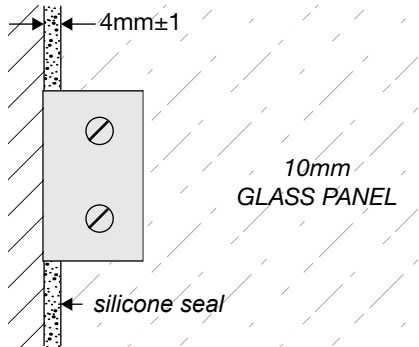


Dimension A, is the overall dimension, NOT including gaps between glass and walls (4mm \pm 1 gap is recommended).

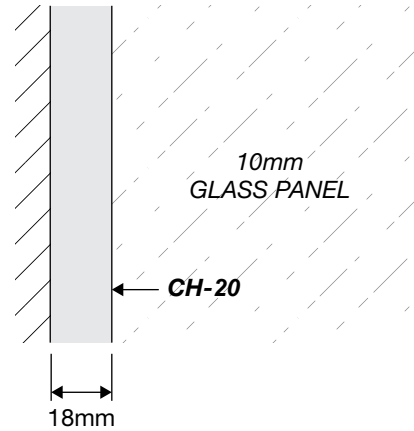
PLAN DRAWING

WALL/FLOOR MOUNTING APPLICATIONS

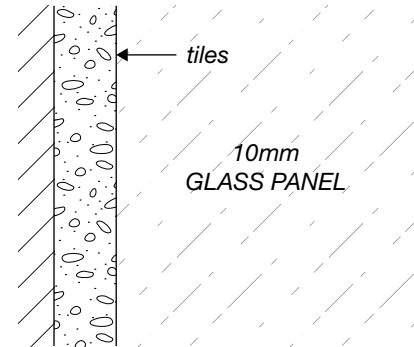
1/ CLAMP



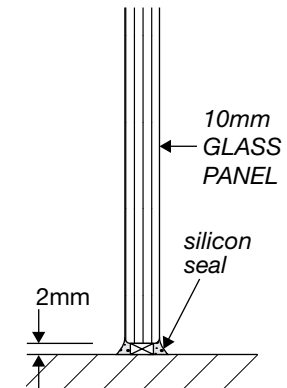
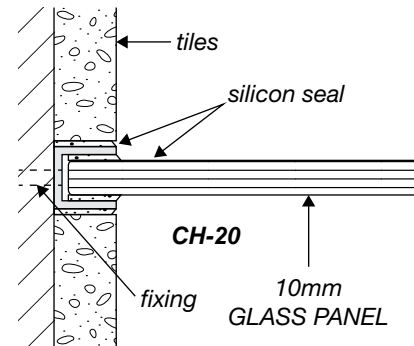
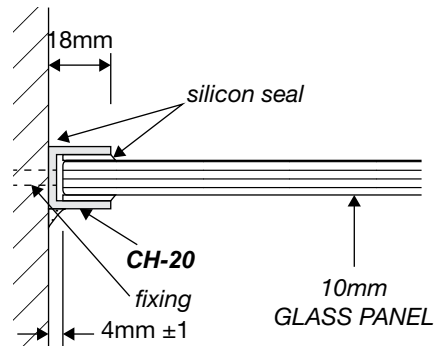
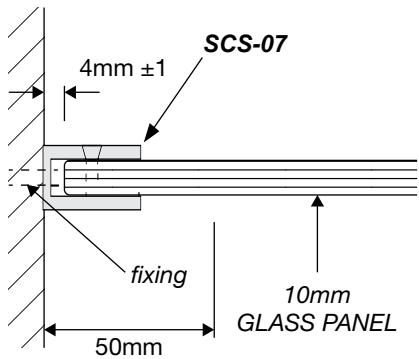
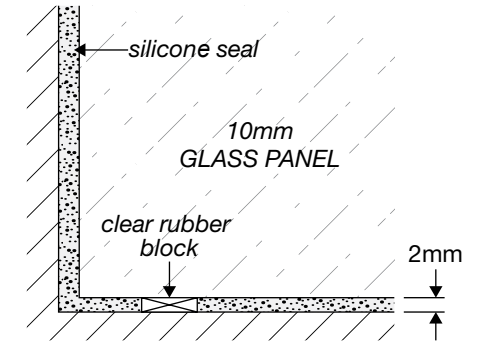
2/ CHANNEL



3/ REBATED CHANNEL (INTO TILES)



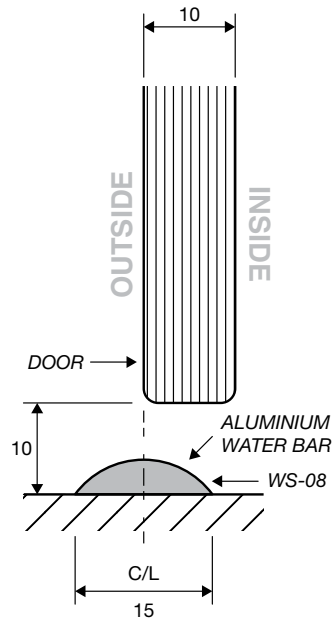
4/ GLASS-TO-FLOOR SEAL



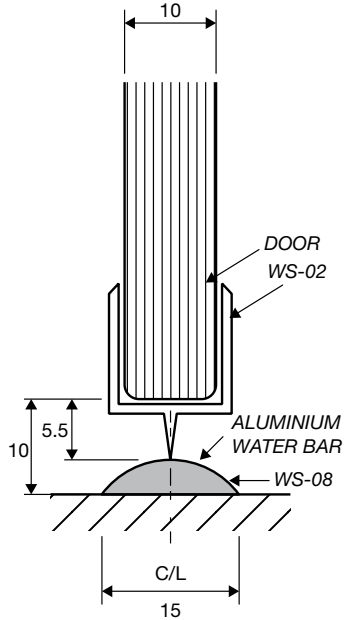
WALL MOUNT DRAWINGS

CLEAR WATER SEAL APPLICATIONS

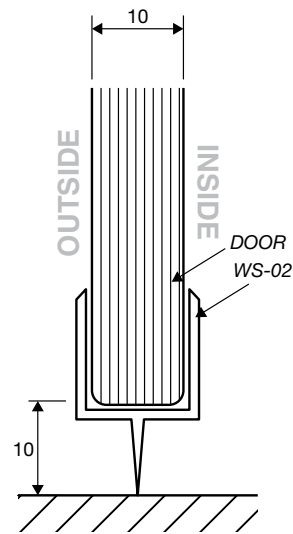
OPTION 1



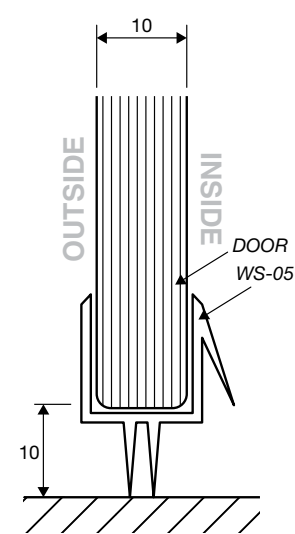
OPTION 2



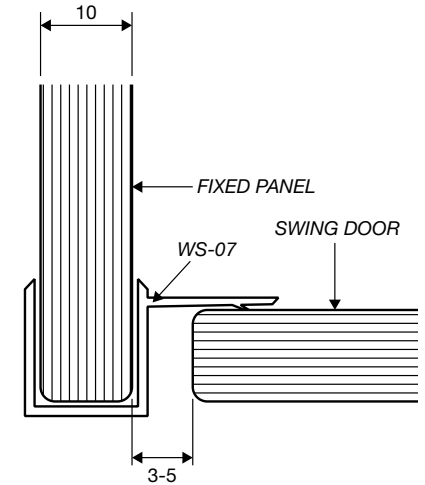
OPTION 3



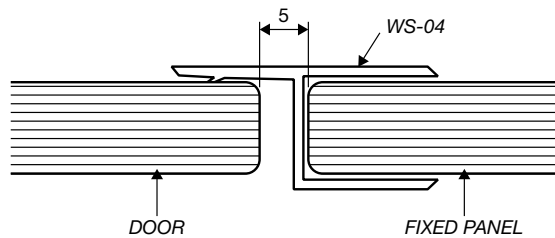
OPTION 4



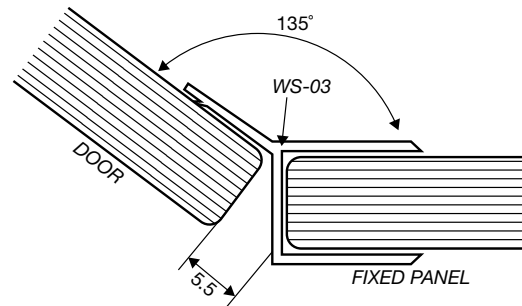
OPTION 5



OPTION 6 (FLOOR TO FIXED PANEL SEAL)

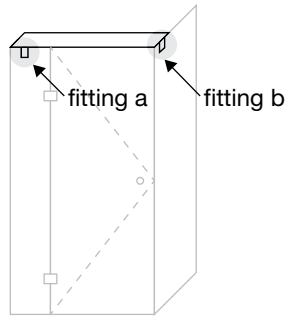


OPTION 7 (135° JOINT SEAL)

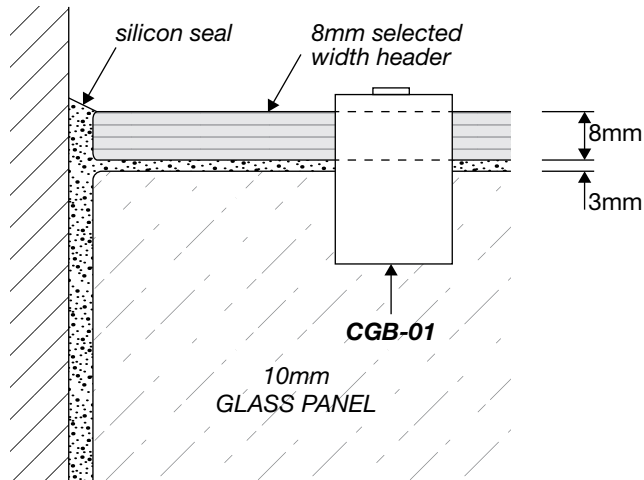


SEAL APPLICATION DRAWINGS

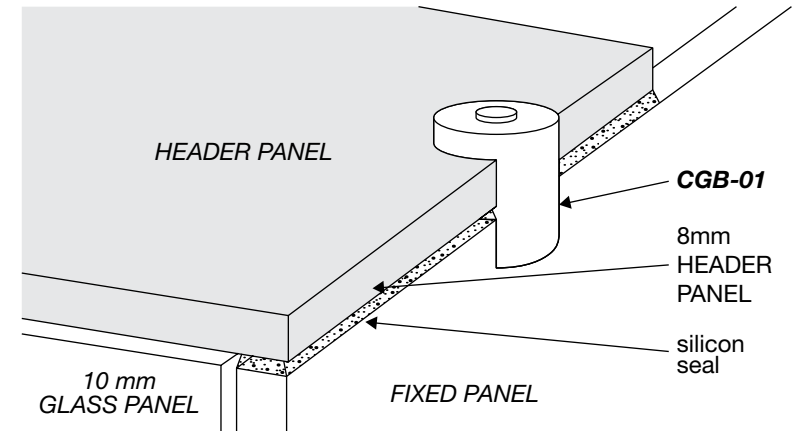
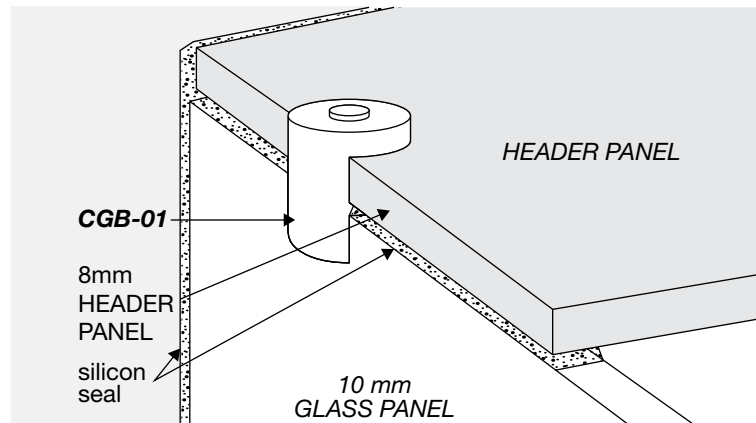
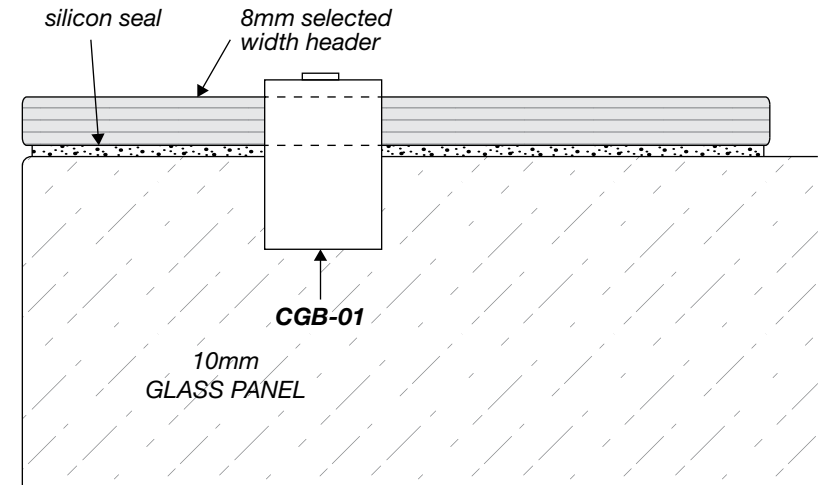
SHOWER HEADER APPLICATION



FITTING A



FITTING B



ELEVATION DRAWING